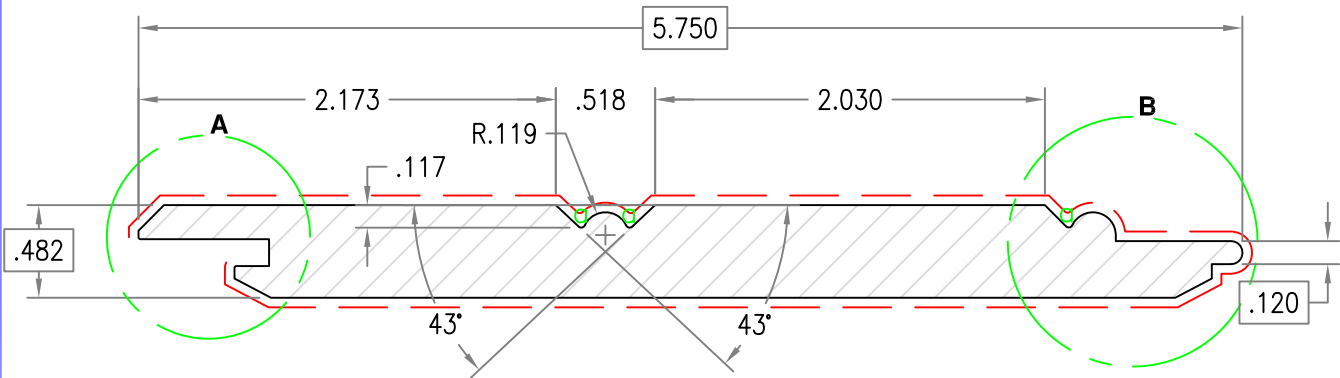


UNCONTROLLED IF PRINTED

CONTROL:

REVISION:

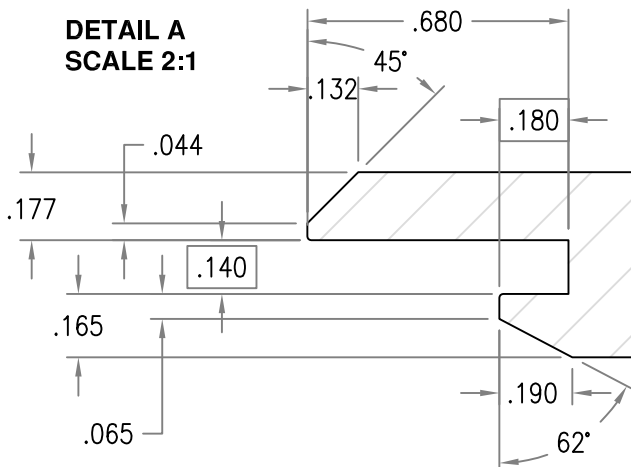
Finished Surface



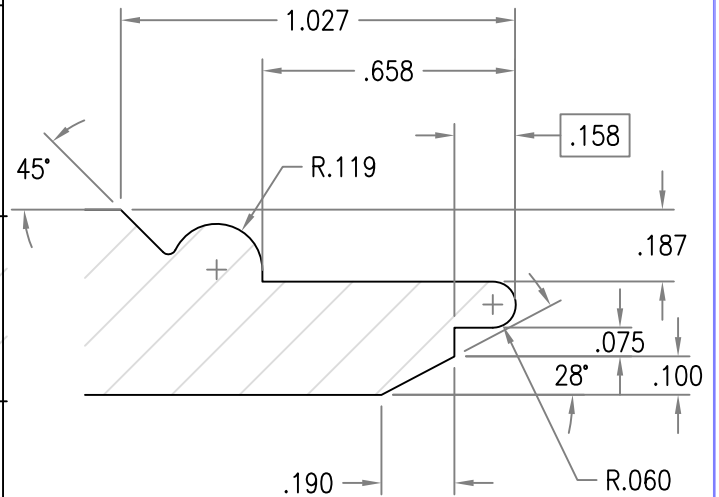
UNMARKED RADII: 0.010
RADII: a-0.020

CRITICAL DIMENSION TOLERANCE: ±0.016

DETAIL A
SCALE 2:1



DETAIL B
SCALE 2:1



SEQ:	DATE:	DESCRIPTION:	BY:

EXTENDED NAIL FIN

CUSTOMER: Royal	SUBSTRATE: PVC	TOT. AREA: 2.357	DRAWN: D.JONES
CUST. DWG:	FINISH PERIM: 11.906	CELL AREA: 2.357	DATE: 10/15/14
LIAISON:	BENDABLE? NA	CAP AREA:	SCALE: 1:1
PROCESS: CELUKA	EMBOSSSED? NA	FLEX AREA:	A
		RIG. AREA:	PROJECT:

UNSPEC. DIMENSIONS ARE REF.
BOXED DIMENSIONS ARE ± 0.016
BOXED ANGLE DIMS ARE ± 1.0°

UNSPEC. INSIDE RADII 0.010
UNSPEC. OUTSIDE RADII 0.010
UNSPEC. FLATNESS - FLAT/CONCAVE